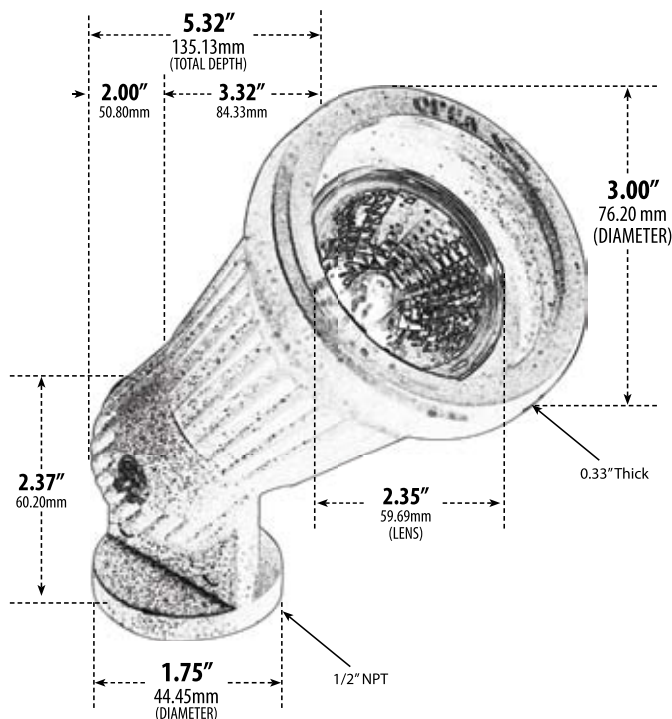


LV200

DIRECTIONAL SPOT LIGHT



- ▶ **Material:** Powder Coated Cast Aluminum
- ▶ **Lens:** Clear, Heat Resistant, Tempered Glass
- ▶ **Lamp:** MR16 Bi-Pin Base (50W Maximum)

MODEL NUMBER	LAMP TYPE	ILLUMINANT TYPE	WATTS (W)	VOLTS (V)	LAMP(S) INCLUDED?
LV200	MR16	HALOGEN	20	12	YES
LV-LED200	MR16-LED	3 LEDs	3	12	YES

Pre-wired with UL Listed Direct Burial Wire/Cable

- ▶ **Adjustable Knuckle with 1/2" NPT**
- ▶ **Ground Spike Included for Installation**
- ▶ **Connector Available:** P-CN01 (sold separately)
- ▶ **Available Color:** Black, Bronze, Green, Verde Green
- ▶ **ETL Approved**

Overall Dimensions:
6.00"H x 3.00"W x 5.32"D

Maximum Height: 6.75"
Minimum Height: 3.75"
Width: 3.00"
Maximum Depth: 5.5"
Minimum Depth: 3.25"

Weight: 0.80 lbs
Approximate Wire Length: 18.00"
Box Dimensions: 9.00"H x 3.75"W x 3.25"D

DABMAR
LIGHTING

DABMAR LIGHTING INCORPORATED

2140 Eastman Ave . Oxnard, CA 93030 . 805.604.9090 . f: 805.604.9050 . www.dabmar.com